

FROMMM | AIRPAD
SYSTEMS

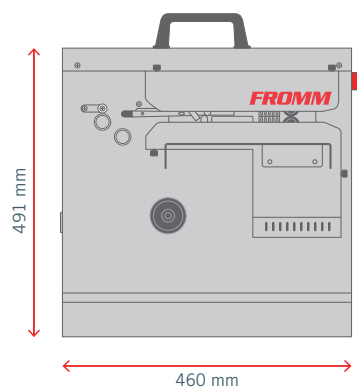
AP150 Bubble on demand

- High speed 18 meters per minute
- Very user friendly
- Good ergonomics with simple and reliable winder

FROMM's compact bubble on demand system

Technical specifications

- Weight 18 Kg (without options)
- Built-in air supply
- Speed 18 meters per minute
- Film material PE
- Film width 400 mm
- Roll length 450 meters



AP150 - 110V

code 50.1082

AP150 - 220V

code 50.1080

FROMM technology

- Heavy duty design for continuous operation
- Efficient technical support
- End-of-the-line expertise

Option

Winder

- Generates one roll of «bubble film» material in less than 3 min
- Easy connected to the machine by an aviation cable
- Automatically starts and stops with the machine
- Equipped with a sensor that automatically stops the winder and the machine at the end of the roll

Winder - 110V

code 50.2122

Winder - 220V

code 50.2120



FROMM | AIRPAD SYSTEMS

FROMM HOLDING AG

Hinterbergstrasse 26
CH-6330 Cham

Switzerland

Tel. +41 56 419 10 20

Fax +41 56 419 10 30

www.fromm-pack.com